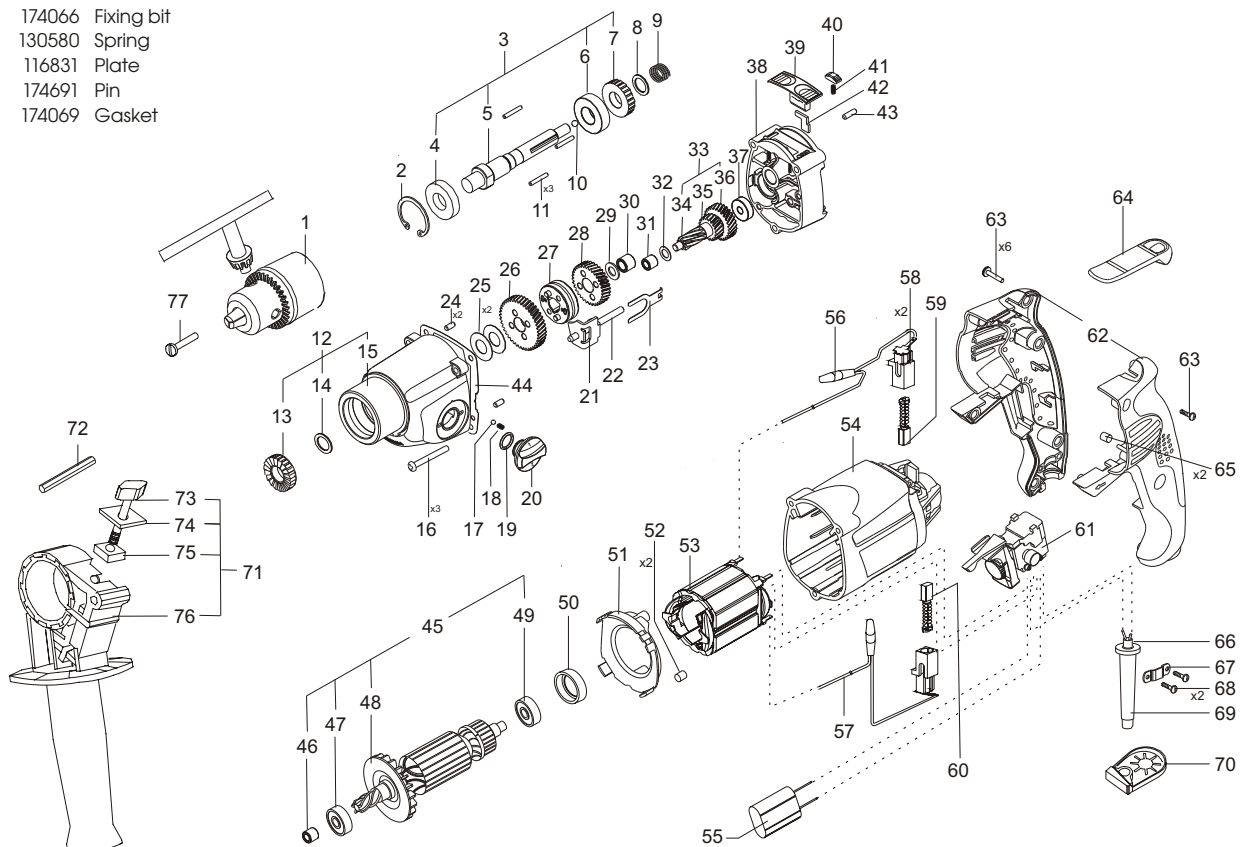


POS. No.	Ref. No.	Description	POS. No.	Ref. No.	Description
1	118984	Chuck B13L	45**	174673	Armature set
2	890311	Circlip J32x1,2	45	159844	Armature set
3	124075	Spindle set	46	159842	Bush
4	330266	Gasket R15x32x7UEN TREC00150	46**	130581	Bush
5	124077	Spindle	47	330942	Bearing 609 2RSL P63 LDS18SpA
6	330014	Bearing 6002-2Z	48	172856	Fan
7	119185	Hammer bush	49	330582	Bearing 6262ZP6E LDS18 SKF
8	140005	Washer	50	129087	Elastic sleeve
9	119022	Spring	51	172859	Diffuser
10	330074	Pellet 5-200	52	239974	Claming pin
11	330267	Needle for bearing B3x19.8 G	53	172855	Stator set
12	174687	Gear box set	54	172845	Body
13	119187	Hammer bush	55	152856	Capacitor
14	115958	Spacer washer	56	114866	Brush holder set
15	173836	Gear box	57	114867	Brush holder set
16	361404	Screw K4X50 TORX 20	58	271678	Brush holder bush
17	330073	Pellet 3.5-200	59	154138	Brush with a switch
18	130580	Spring	60	154137	Brush
19	330339	O-ring 2-11x2-2	61	176194	Switch Defond DGQ-1106
20	174272	Gear switch	62	172860	Casing handle set
21	122441	Switching plate	63	361328	Screw K4x18 TORX 20
22	122440	Axle	64	172846	Belt clip
23	122444	Locking panel	65	272960	Claming pin
24	115865	Pin	66	158945	Cord with a plug RAL 3020
25	117848	Spacer washer	67	256500	Cord clamp
26	122427	Spindle gear I	68	361360	Screw K 4X9.5 TORX 20
27	124078	Clutch set	69	206687	Cord protector
28	122434	Spindle gear II	70	114292	Key holder
29	122435	Spacer washer	71	121152	Handle set
30	330233	Bearing HK0810RS	72	121134	Depth gauge
31	330119	Bearing HK0609	73	121306	Butterfly screw set
32	140033	Spacer washer	74	271221	Plate
33	174325	Gear shaft set	75	114032	Nut M6
34	122437	Gear shaft	76	121133	Handle
35	122438	Spindle gear II for Gear shaft	77	360582	Screw M6LHX30-8.8
36	174326	Large intermediate gear			
37	330017	Bearing 626			
38**	173838	Bearing shield			
38	159847	Bearing shield			
39	174065	Slide			
40	174066	Fixing bit			
41	130580	Spring			
42	116831	Plate			
43	174691	Pin			
44	174069	Gasket			

\*\* - till 14.Jul. 2013:



176621

141600